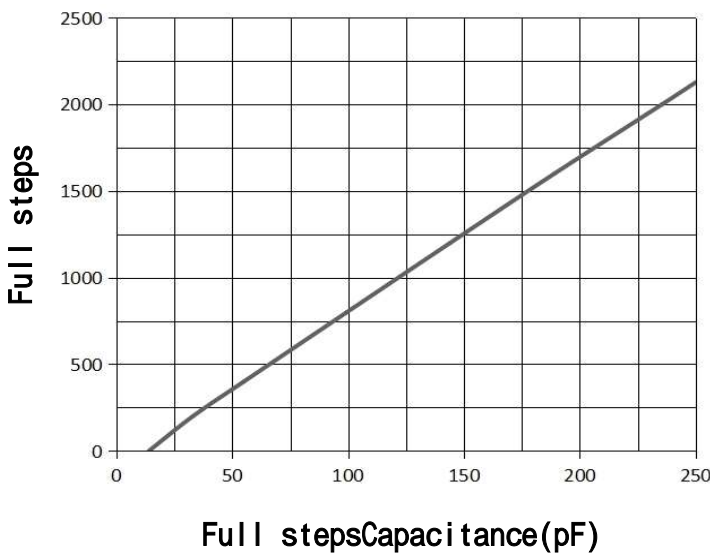
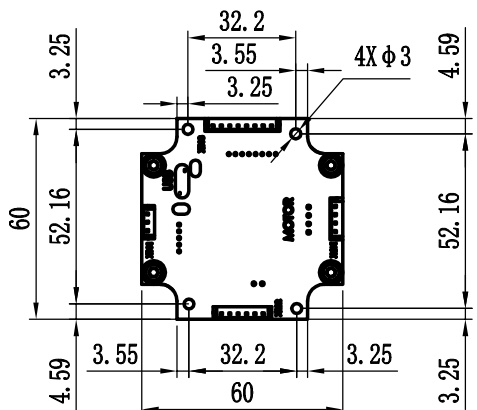
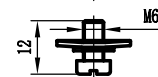
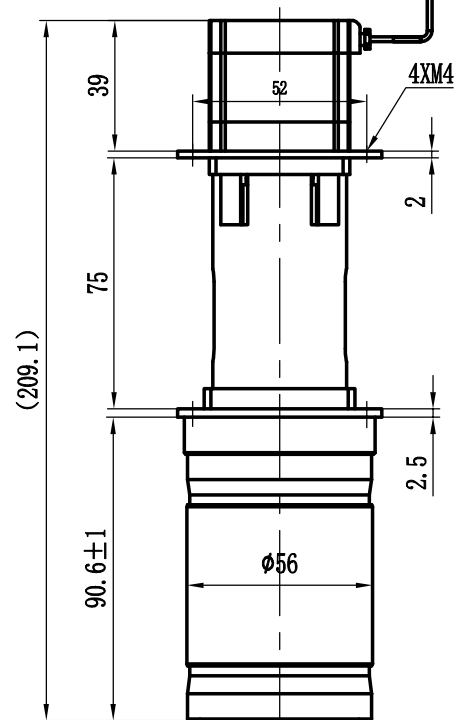
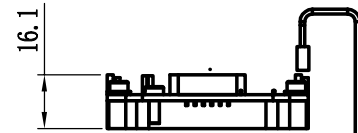
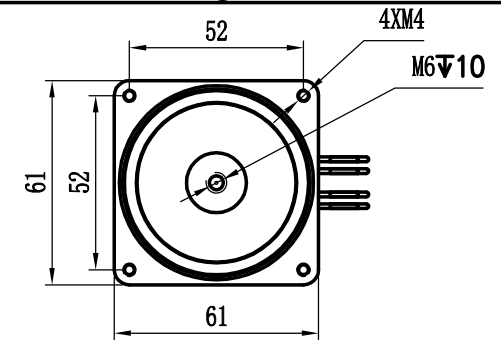


Data-Sheet-Motorized Vacuum Capacitor YL56-15-250M

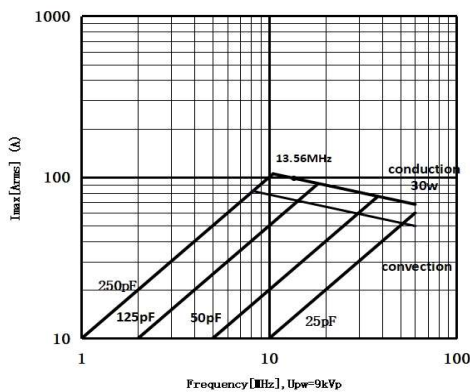


www.glvac.com

Specification	
Capacity C_{max} (nominal)	250pF
Capacity C_{min} (nominal)	25pF
Voltage (Peak Test U_{pt} /Peak Working U_{pw})	15kVp/9kVp
Capacity tolerance (linear Range)	$\pm 1\%$
Max. Current I_{max} at 13.56MHz with	95Arms
Conduction Cooling	30W
Self Inductance	$\leq 8nH$
Capacitance per 100 steps	11.1pF
Net Weight	1.2kg
Ground to variable end capacitance	$\leq 5pF$



I_{max} at 25 °C ambient and 125 °C surface for convection and conduction (30w) cooling



UNLESS OTHERWISE SPECIFIED:
 $\leq 30: \pm 0.5$ $30 \sim 400: \pm 1.2$ $\geq 400: \pm 2.5$ $\angle \pm 1^\circ$

Rev:00

Page 1/3 Issue: 18-Jun-2022

Address: ST28 Xihu Road, Kunshan, Jiangsu Province, China
 TEL: +86 (512) 36872110

Web: www.glvac.com
 FAX: +86 (512) 36872122

E-mail: e-sales@glvac.cn
 Zip Code: 215333

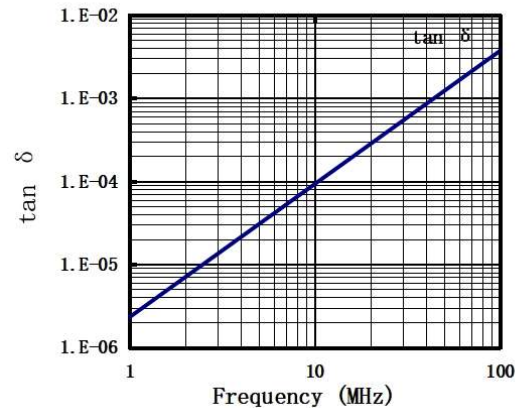
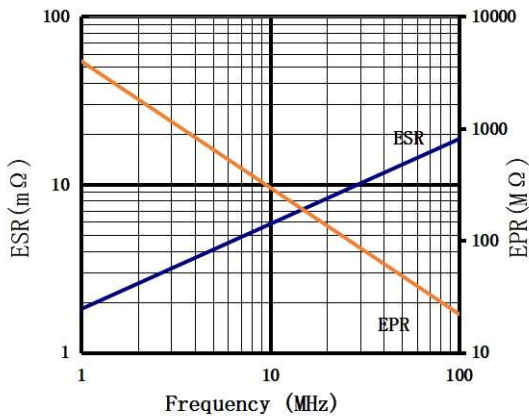
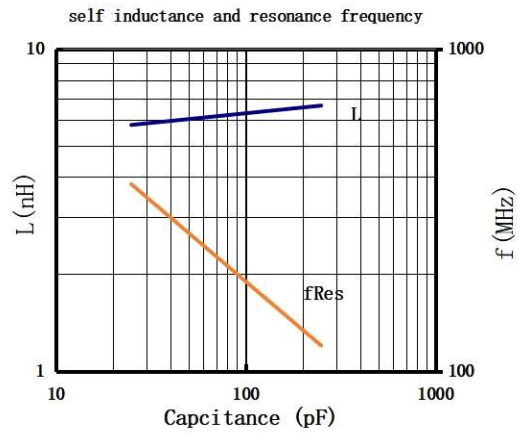
Data-Sheet-Motorized Vacuum Capacitor YL56-15-250M



www.glvac.com

FullSteps	Nominal Capacitance[pF]	Tolerance
0	15.7	±1pF
91	25.0	±1pF
500	69.1	±1pF
1000	124.6	1%
1500	182.0	1%
2000	239.8	1%
2099	251.8	1%

Mechanical stop Cmin.at<25pF
Mechanical stop Cmax.at>250pF



General handling information for the integrated drive

When installing or removing the integrated drive, extreme care must be taken to avoid damage to the body of the integrated drive. Although the integrated drive look very rugged from the outside it must be remembered that, due to the brazing process used to join ceramic and copper, the copper is in a soft, annealed condition and is therefore highly avoided. Use existing threads and holes for fixation. For all integrated drives we recommend that one side be mounted non-rigid to prevent excessive thermomechanical and external forces from acting on the capacitor.

UNLESS OTHERWISE SPECIFIED:

≤30: ±0.5 30~400: ±1.2 ≥400: ±2.5 ∠±1°

Address: ST28 Xihu Road, Kunshan, Jiangsu Province, China
TEL: +86 (512) 36872110

Rev: 00

Web: www.glvac.com
FAX: +86 (512) 36872122

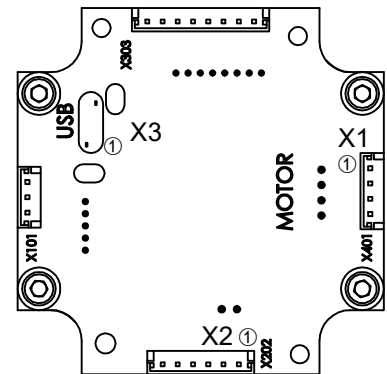
Page 2/3 Issue: 23-Jun-2022

E-mail: e-sales@glvac.cn
Zip Code: 215333

Data-Sheet-Motorized Vacuum Capacitor
YL56-15-250M



Drive Specification	
Tuning speed (end to end)	< 3s
Backlash	≤ 2
Operation mode	Bipolar
Nr.of phases	2
Rated phase current(RMS)	1.5A
Supply voltage(DC)	24V
Full step angle	1.8°
Motor frame size	42mm



X1 Motor		
Pin1	OB2	Blue B-
Pin2	OB1	Red B
Pin3	OA2	Green A-
Pin4	OA1	Black A

X2 Power and Communication	
Pin1	0V(GND)
Pin2	9V—30V(VDD)
Pin3	
Pin4	
Pin5	RS232_TXD
Pin6	RS232_RXD

X3 Mini-USB			
Pin1	VBUS	Power	5V
Pin2	D-	Bidirection	USB Data -
Pin3	D+	Bidirection	USB Data+
Pin4	ID	Power(GND)	Connected to signal and system ground
Pin5	GND	Power(GND)	Connected to signal and system ground

X4 is not used

UNLESS OTHERWISE SPECIFIED:

≤30:±0.5 30~400:±1.2 ≥400:±2.5 ∠±1°

Address:ST28 Xihu Road, Kunshan, Jiangsu Province, China
TEL: +86 (512) 36872110

Rev :00

Web:www.glvac.com
FAX:+86 (512) 36872122

Page 3/3 Issue: 23-Jun-2022

E-mail:e-sales@glvac.cn
Zip Code:215333