

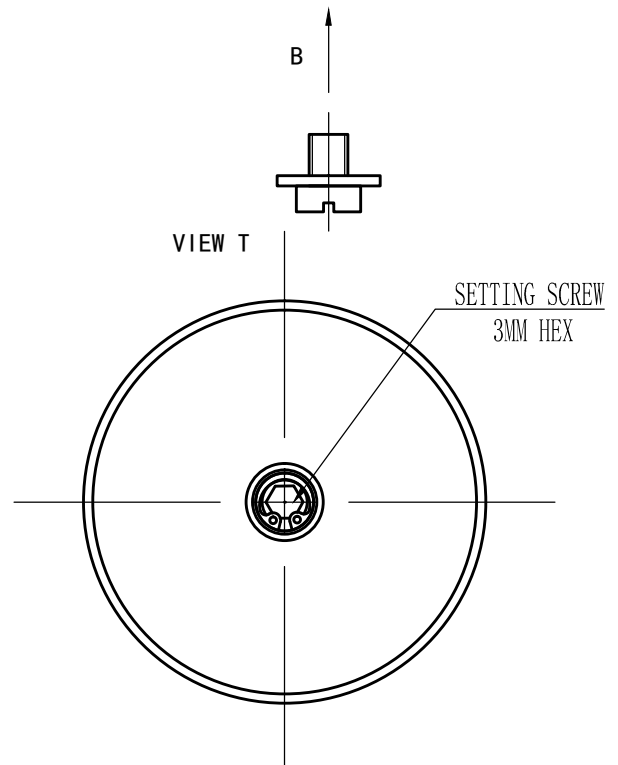
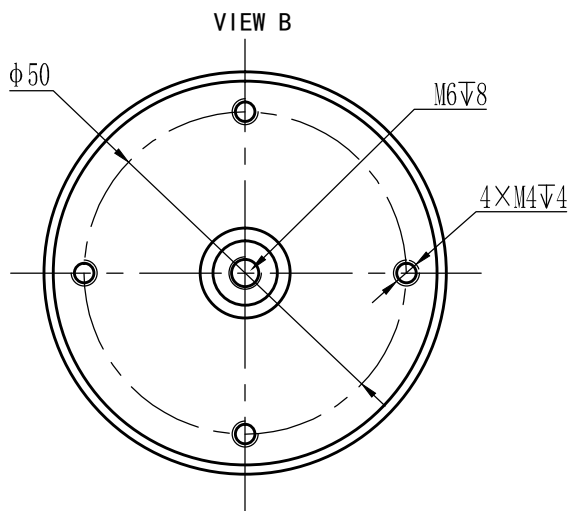
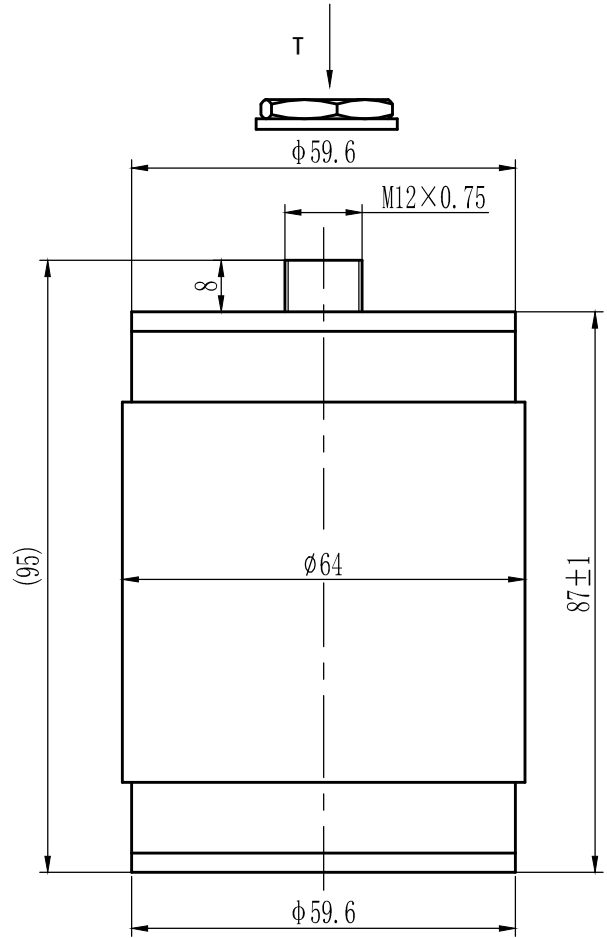
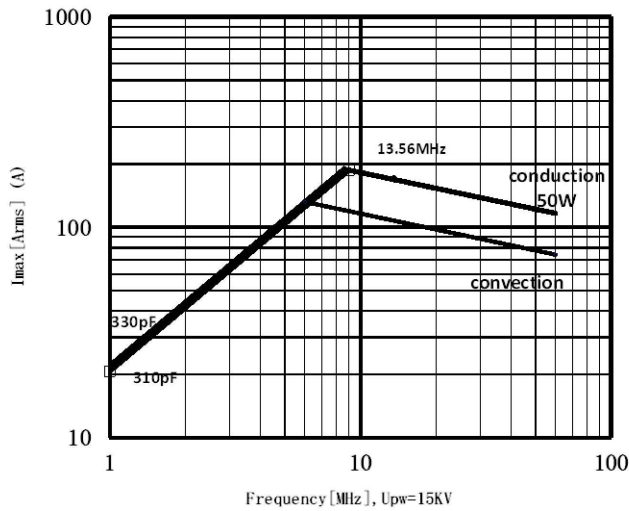
Data-Sheet- Trimmer Vacuum Capacitor CKTBT320/15/170



www.glvac.com

Specifications	
Capacity C_{max} (nominal)	330pF
Capacity C_{min} (nominal)	310pF
Voltage (Peak Test U_{pt} /Peak Working U_{pw})	25KVp/15KVp
Max. Current I_{max} at 13.56MHz with	170Arms
Conduction Cooling	50W
Capacitance per turn	5.6/turn
Net Weight	0.75kg

I_{max} at 25°C ambient and 125°C surface temp.
for convection and conduction (50W) cooling



UNLESS OTHERWISE SPECIFIED:

≤ 30 : ± 0.5 30~400: ± 1.2 ≥ 400 : ± 2.5 \angle : $\pm 1^\circ$

Address: ST28 Xihu Road, Kunshan, Jiangsu Province, China
TEL: +86 (512) 36872110

Web: www.glvac.com
FAX: +86 (512) 36872122

Rev: 00

Page 1/1

Issue: 26-Mar-2021

E-mail: e-sales@glvac.cn
Zip Code: 215333