

# Data-Sheet- Trimmer Vacuum Capacitor

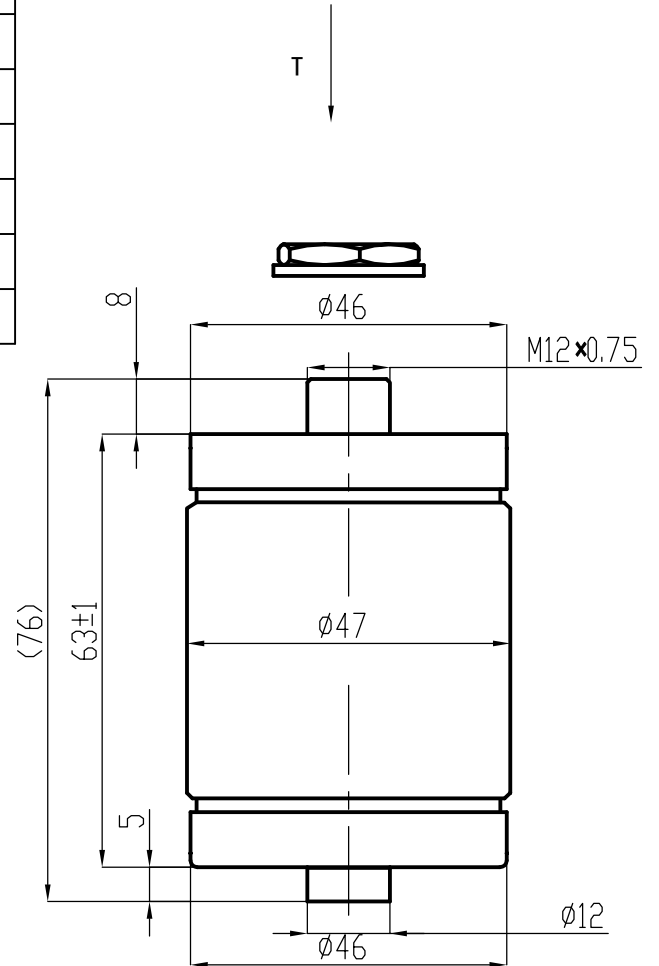
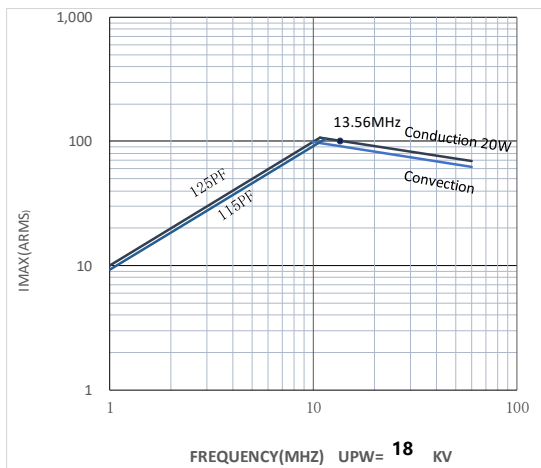
## CKTBT120/18/101



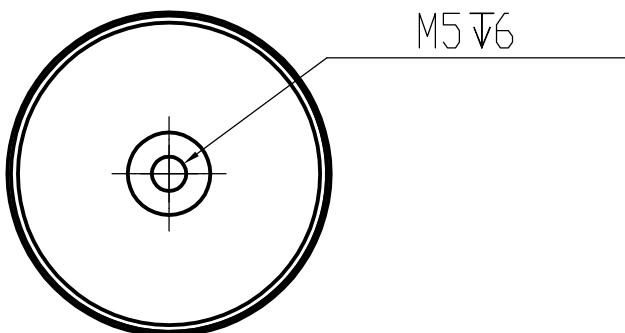
www.glvac.com

Specification	
Capacity $C_{max}$ (nominal)	125pF
Capacity $C_{min}$ (nominal)	115pF
Voltage (Peak Test $U_{pt}$ /Peak Working $U_{pw}$ )	30kVp/18kVp
Max. Current $I_{max}$ at 13.56MHz with Conduction Cooling	101Arms
	20W
Capacitance per turn	3pF
Torque	< 0.2N · m
Net Weight	0.7kg

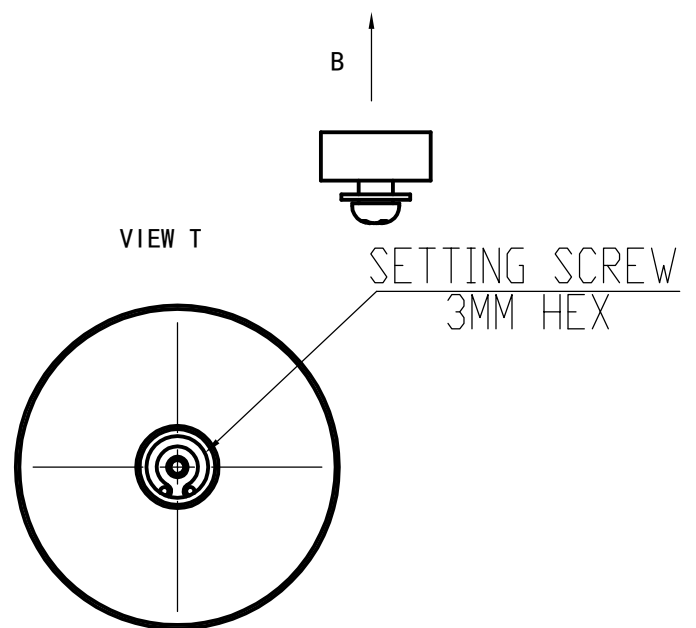
$I_{max}$  at 25 °C ambient and 125 °C surface for convection and conduction (20W) cooling



VIEW B



VIEW T



UNLESS OTHERWISE SPECIFIED:

≤30: ±0.5 30~400: ±1.2 ≥400: ±2.5 ∠±1°

Rev:00

Page: 1/1

Issue: 12-Nov-2020