

Data-Sheet-Fixed Capacitor

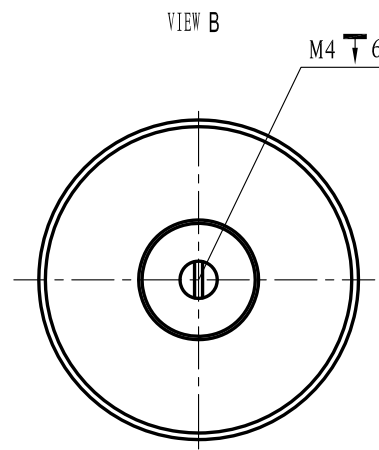
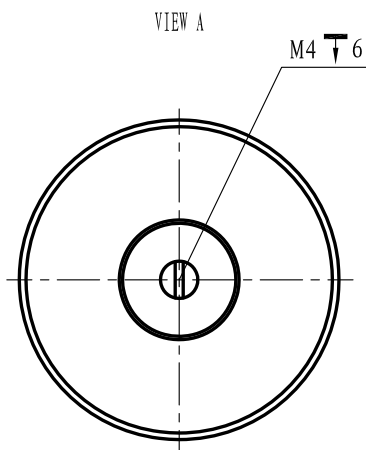
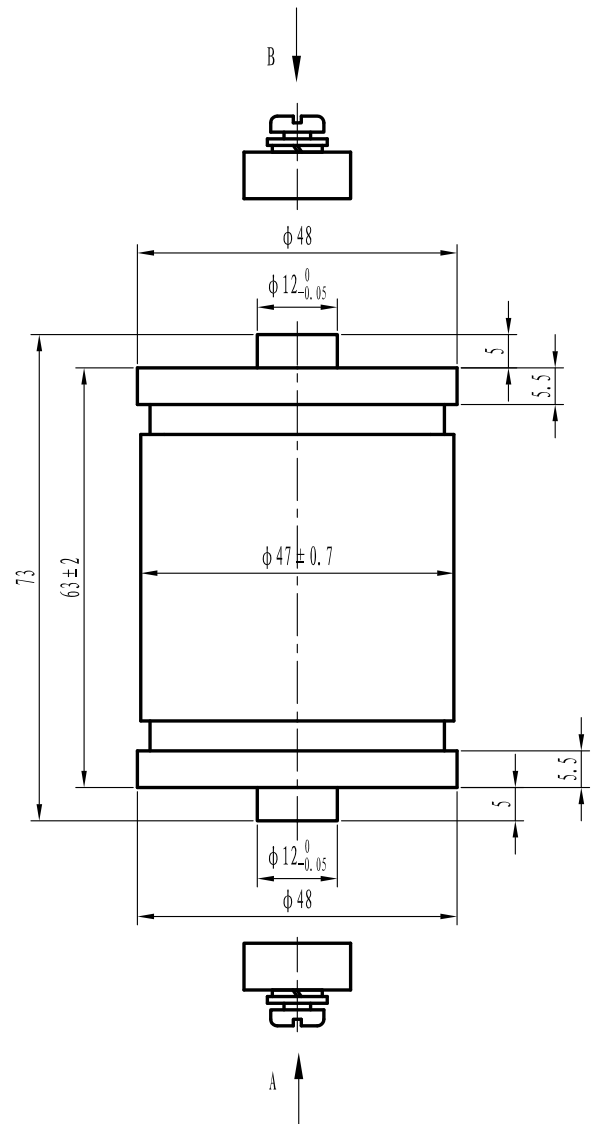
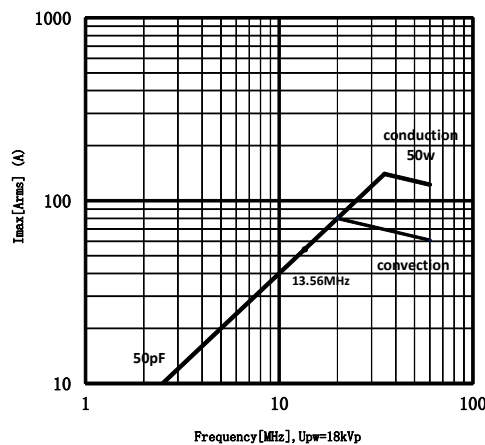
CKT50/18/54



www.glvac.com

Specification	
Capacity C_{max} (nominal)	50pF
Voltage (Peak Test U_{pt} /Peak Working U_{pw})	30kVp/18kVp
Capacity tolerance	$\pm 10\%$
Max. Current I_{max} at 13.56MHz with	54Arms
Conduction Cooling	50W
Net Weight	0.5kg

I_{max} at 25 °C ambient and 125 °C surface for convection and conduction (50w) cooling



UNLESS OTHERWISE SPECIFIED:

≤ 30 : ± 0.5 $30 \sim 400$: ± 1.2 ≥ 400 : ± 2.5 $\angle \pm 1^\circ$

Rev:00

Page: 1/1

Issue: 06-Apr-2021

Address: ST28 Xihu Road, Kunshan, Jiangsu Province, China
TEL: +86 (512) 36872110

Web: www.glvac.com
FAX: +86 (512) 36872122

E-mail: e-sales@glvac.cn
Zip Code: 215333